

85 PSIG

SINGLE AND MULTI-PLY STAINLESS STEEL EXPANSION JOINT BELLOWS

321 S.S. Bellows with Welding Aide.

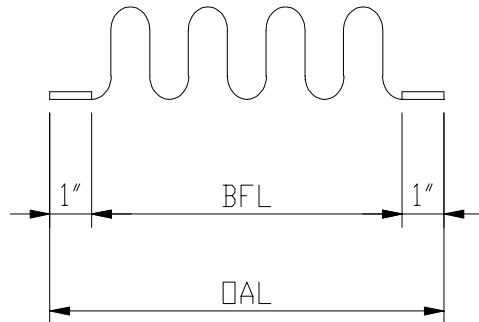
U. S. BELLOWS, INC.®

Monel and Inconel available on request.

A DIVISION OF PIPING TECHNOLOGY & PRODUCTS, INC.

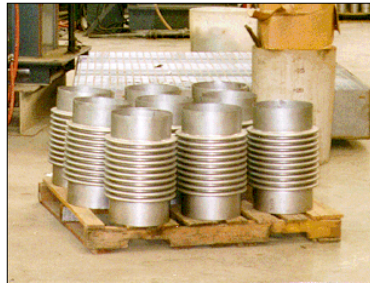
Notes:

1. Pressure Range: Vacuum to 50 PSIG for 3/4" to 1.1/2", 2" and over, 85 PSIG.
2. Temperature Range: -20 F to 800 F.
3. Rated cycle life is 3000 cycles per EJMA for any one tabulated movement.
4. Maximum axial extension movement is 50% of the tabulated axial movement.
5. Rated extension movement is equal to rated axial movement provided the bellows is pre-compressed the amount of design extension.
6. Maximum test pressure: 1.5x design pressure
7. Materials: -- Bellows : ASTM A240-T321SS
-- Welding Aides : ASTM A240-T321SS
8. Flanges or welds ends can be attached to the bellows 1/16" thk (min.) Welding aide.
9. For more details request PT&P's Expansion Joint Catalog.



ND in.	Part Number	Max. Axial Movement in.	Max. Lateral Movement in.	Max. Angular Movement deg.	B.F.L. in.	Number of Corrugations	O.A.L. in.	Weight Each lbs.	Axial Spring Rate lbs./in.	Lateral Spring Rate lbs./in.	Angular Spring Rate in/lbs/deg.
3/4	S007050C	0.59	0.47	10	2.75	13	3.50	0.08	392	95	3
	L007050C	0.79	0.71	10	3.56	17	4.31	0.09	302	39	3
1	S010050C	0.59	0.27	10	2.19	9	2.94	0.10	386	274	3
	L010050C	0.87	0.59	10	3.00	13	3.75	0.12	269	90	3
1 1/2	S015050C	0.59	0.24	10	2.38	10	3.13	0.15	515	622	3
	L015050C	0.94	0.59	10	3.63	16	4.38	0.19	325	151	3
2	US-2-8-85S	0.64	0.24	10	3.00	8	5.00	0.50	191	230	3
	US-2-12-85L	0.95	0.53	10	4.50	12	6.50	1.00	281	151	4
2 1/2	US-2.5-8-85S	1.33	0.39	10	3.00	8	5.00	1.00	113	215	3
	US-2.5-12-85L	1.12	0.50	10	4.50	12	6.50	1.00	218	184	5
3	US-3-8-85S	0.71	0.17	10	3.00	8	5.00	1.00	403	1075	14
	US-3-12-85L	1.07	0.40	10	4.50	12	6.50	1.00	269	319	9
4	US-4-8-85S	0.96	0.18	10	3.00	8	5.00	1.00	260	1138	15
	US-4-12-85L	1.45	0.42	10	4.50	12	6.50	2.00	173	337	10
5	US-5-8-85S	0.95	0.15	10	3.00	8	5.00	1.00	325	2075	27
	US-5-12-85L	1.42	0.34	10	4.50	12	6.50	2.00	217	615	18
6	US-6-8-85S	1.10	0.19	10	4.00	8	6.00	3.00	536	2735	64
	US-6-12-85L	1.65	0.44	10	6.00	12	8.00	4.00	358	810	42
8	US-8-8-85S	1.07	0.15	10	4.00	8	6.00	3.00	707	5824	136
	US-8-12-85L	1.61	0.34	10	6.00	12	8.00	5.00	471	1725	90
10	US-10-8-85S	1.99	0.45	10	8.00	8	10.00	6.00	548	1737	162
	US-10-12-85L	2.38	0.82	10	12.00	12	14.00	10.00	729	1027	215
12	US-12-8-85S	2.09	0.40	10	8.00	8	10.00	9.00	711	3177	296
	US-12-12-85L	3.14	0.91	10	12.00	12	14.00	13.00	474	941	197
14	US-14-8-85S	2.05	0.36	10	8.00	8	10.00	10.00	783	4163	388
	US-14-12-85L	3.08	0.81	10	12.00	12	14.00	14.00	522	1234	258
16	US-16-8-85S	2.04	0.31	10	8.00	8	10.00	16.00	1034	7213	671
	US-16-12-85L	3.06	0.71	10	12.00	12	14.00	22.00	689	2137	448
18	US-18-8-85S	2.03	0.28	10	8.00	8	10.00	18.00	1168	10146	944
	US-18-12-85L	3.05	0.63	10	12.00	12	14.00	25.00	779	3006	630
20	US-20-8-85S	2.01	0.25	10	8.00	8	10.00	20.00	1302	13782	1283
	US-20-12-85L	3.02	0.57	10	12.00	12	14.00	28.00	868	4084	855
22	US-22-8-85S	2.28	0.26	10	8.00	8	10.00	23.00	1067	13668	1272
	US-22-12-85L	3.42	0.58	10	12.00	12	14.00	33.00	712	4050	848
24	US-24-8-85S	2.26	0.23	10	8.00	8	10.00	25.00	1167	17615	1640
	US-24-12-85L	3.39	0.53	10	12.00	12	14.00	36.00	778	5219	1093

12" EXPANSION JOINT METAL BELLOWS ON PALLETS



36" SINGLE GIMBAL EXPANSION JOINT



EXTERNALLY PRESSURIZED EXP. JT. UNIT

