

85 PSIG

SINGLE AND MULTI-PLY STAINLESS STEEL EXPANSION JOINT BELLOWS

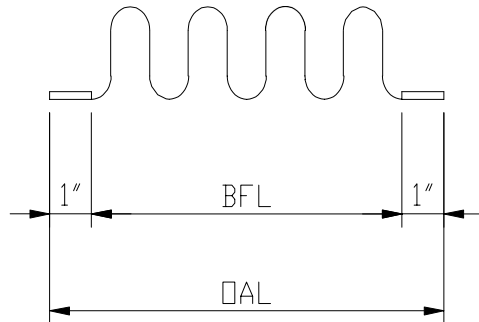
321 S.S. Bellows with Welding Aide.

U. S. BELLOWS, INC.®

Monel and Inconel available on request.

A DIVISION OF PIPING TECHNOLOGY & PRODUCTS, INC.

Notes:



1. Pressure Range: Vacuum to 50 PSIG for 3/4" to 1.1/2", 2" and over, 85 PSIG.
2. Temperature Range: -20 F to 800 F.
3. Rated cycle life is 3000 cycles per EJMA for any one tabulated movement.
4. Maximum axial extension movement is 50% of the tabulated axial movement.
5. Rated extension movement is equal to rated axial movement provided the bellows is pre-compressed the amount of design extension.
6. Maximum test pressure: 1.5x design pressure
7. Materials: -- Bellows : ASTM A240-T321SS
-- Welding Aides : ASTM A240-T321SS
8. Flanges or welds ends can be attached to the bellows 1/16" thk (min.) Welding aide.
9. For more details request PT&P's Expansion Joint Catalog.

ND in.	Part Number	Max. Axial Movement in.	Max. Lateral Movement in.	Max. Angular Movement Deg.	B.F.L. in.	Number of Corrugations	O.A.L. in.	Weight Each lbs.	Axial Spring Rate lbs./in.	Lateral Spring Rate lbs./in.	Angular Spring Rate in/lbs/deg.
3/4	S007050C	0.59	0.47	10	2.75	13	3.50	0.08	392	95	3
	L007050C	0.79	0.71	10	3.56	17	4.31	0.09	302	39	3
1	S010050C	0.59	0.27	10	2.19	9	2.94	0.10	386	274	3
	L010050C	0.87	0.59	10	3.00	13	3.75	0.12	269	90	3
1 1/2	S015050C	0.59	0.24	10	2.38	10	3.13	0.15	515	622	3
	L015050C	0.94	0.59	10	3.63	16	4.38	0.19	325	151	3
2	US-2-8-85S	0.64	0.24	10	3.00	8	5.00	0.60	643	2068	27
	US-2-12-85L	0.95	0.53	10	4.50	12	6.50	1.00	693	462	14
2 1/2	US-2.5-8-85S	1.33	0.39	10	3.00	8	5.00	1.00	580	1052	21
	US-2.5-12-85L	1.12	0.50	10	4.50	12	6.50	1.00	386	312	14
3	US-3-8-85S	0.71	0.17	10	3.00	8	5.00	1.00	855	2887	38
	US-3-12-85L	1.07	0.40	10	4.50	12	6.50	1.00	570	855	25
4	US-4-8-85S	0.96	0.18	10	3.00	8	5.00	1.00	547	3016	39
	US-4-12-85L	1.45	0.42	10	4.50	12	6.50	2.00	365	894	26
5	US-5-8-85S	0.95	0.15	10	3.00	8	5.00	1.00	684	5295	69
	US-5-12-85L	1.42	0.34	10	4.50	12	6.50	2.00	456	1569	46
6	US-6-8-85S	1.10	0.19	10	4.00	8	6.00	3.00	926	5729	133
	US-6-12-85L	1.65	0.44	10	6.00	12	8.00	4.00	617	1698	89
8	US-8-8-85S	1.07	0.15	10	4.00	8	6.00	3.00	1220	2930	273
	US-8-12-85L	1.61	0.34	10	6.00	12	8.00	5.00	813	868	182
10	US-10-8-85S	1.99	0.45	10	8.00	8	10.00	7.00	1664	6095	567
	US-10-12-85L	2.38	0.82	10	12.00	12	14.00	12.00	1110	1806	378
12	US-12-8-85S	2.09	0.40	10	8.00	8	10.00	11.00	1077	5585	520
	US-12-12-85L	3.14	0.91	10	12.00	12	14.00	15.00	718	1655	347
14	US-14-8-85S	2.05	0.36	10	8.00	8	10.00	12.00	1187	7231	673
	US-14-12-85L	3.08	0.81	10	12.00	12	14.00	17.00	791	2143	449
16	US-16-8-85S	2.04	0.31	10	8.00	8	10.00	21.00	2000	16042	1493
	US-16-12-85L	3.06	0.71	10	12.00	12	14.00	28.00	1333	4753	996
18	US-18-8-85S	2.03	0.28	10	8.00	8	10.00	23.00	2259	22250	2071
	US-18-12-85L	3.05	0.63	10	12.00	12	14.00	32.00	1506	6593	1381
20	US-20-8-85S	2.01	0.25	10	8.00	8	10.00	26.00	2518	29879	2781
	US-20-12-85L	3.02	0.57	10	12.00	12	14.00	36.00	1679	8853	1854
22	US-22-8-85S	2.28	0.26	10	8.00	8	10.00	26.00	2059	26363	3775
	US-22-12-85L	3.42	0.58	10	12.00	12	14.00	36.00	1372	7811	2517
24	US-24-8-85S	2.26	0.23	10	8.00	8	10.00	32.00	2251	37757	3515
	US-24-12-85L	3.39	0.53	10	12.00	12	14.00	47.00	1501	11187	2343

*Data is provided for reference only, consult the factory for a detailed design.

12" EXPANSION JOINT METAL BELLOWS ON PALLETS



REV.1-4/23/99

36" SINGLE GIMBAL EXPANSION JOINT



175

EXTERNALLY PRESSURIZED EXP. JT. UNI



85 psig.wk4-12/8/94